



ON TIME WILDLIFE FEEDERS IS NOT RESPONSIBLE FOR VARMINT DAMAGE TO YOUR FEEDER UNIT. HEAVY SCREEN WIRE IS RECOMMENDED TO SHIELD YOUR UNIT FROM VARMINTS.

80 LB. T POST GRAVITY FEEDER INSTRUCTIONS ITEM# 71800

INSTALLATION OF THE METAL MOUNTING BRACKET

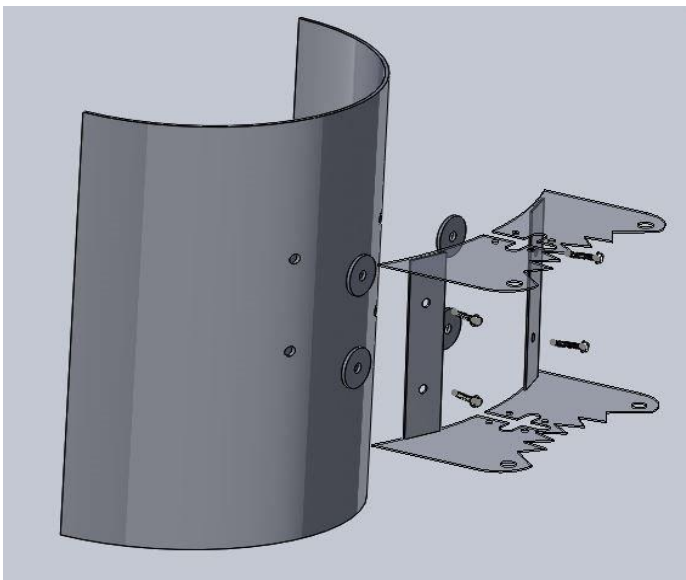


FIG.1: EXTERIOR VIEW

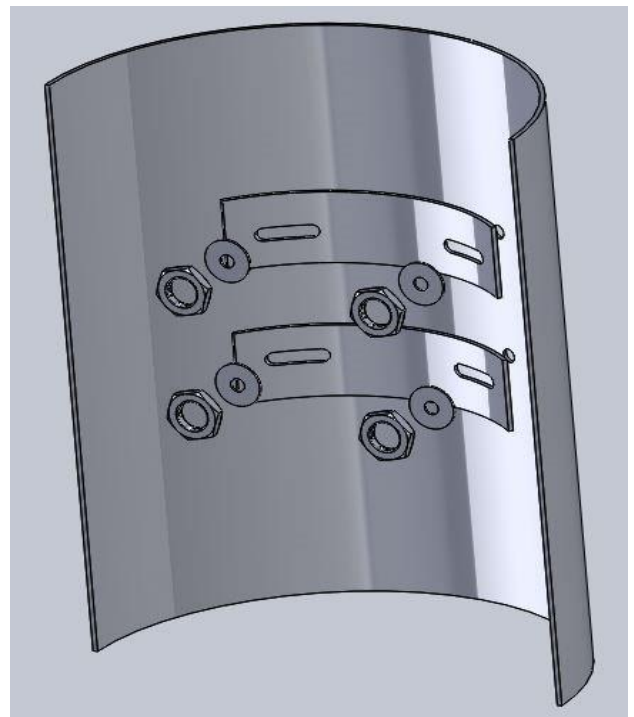


FIG.2: INTERIOR VIEW

STEP 1 -- SEE FIG. 1

Lay the hopper down and place the METAL MOUNTING BRACKET onto the back of the hopper. Line the four holes of the bracket with the four holes on the back of the hopper.

Slide one LARGE BLACK PLASTIC WASHER between the METAL MOUNTING BRACKET and the hopper.

Push one of the four 5/16"x1" BOLTS through the bracket and plastic washer into the hopper.

Repeat for the remaining three 5/16"x1" BOLTS and LARGE BLACK PLASTIC WASHERS.

STEP 2 -- SEE FIG.2

Install the two CURVED METAL PIECES inside the hopper. One will be placed over the top two 5/16"x1" BOLTS, and one will be placed over the bottom two 5/16"x1" BOLTS. Install the four 1" METAL WASHERS one on top of each bolt that is protruding through the CURVED METAL PIECES. Install the four 5/16" NUTS one on each of the 5/16"x1" BOLTS. Tighten all four 5/16" NUTS.